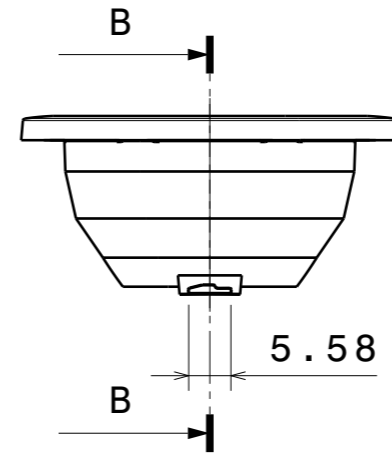
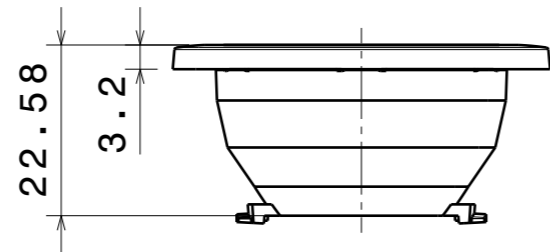
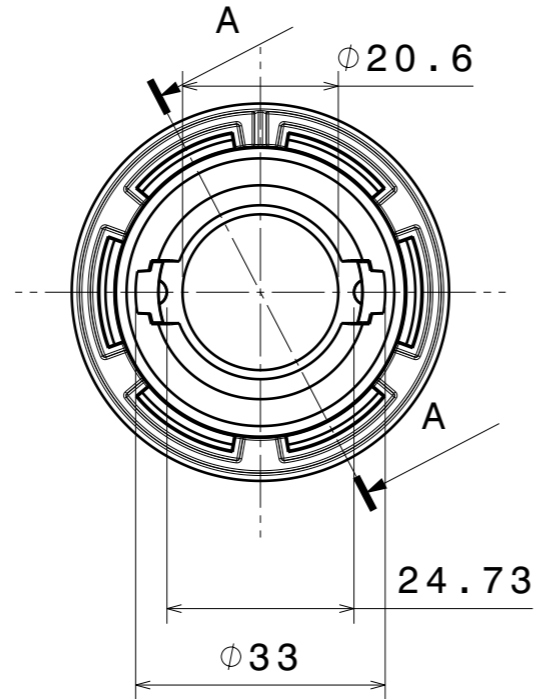
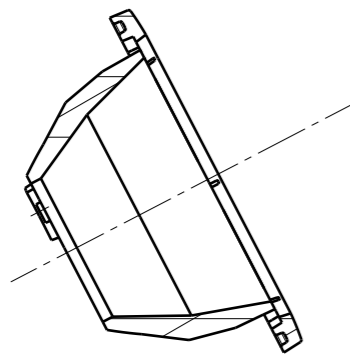
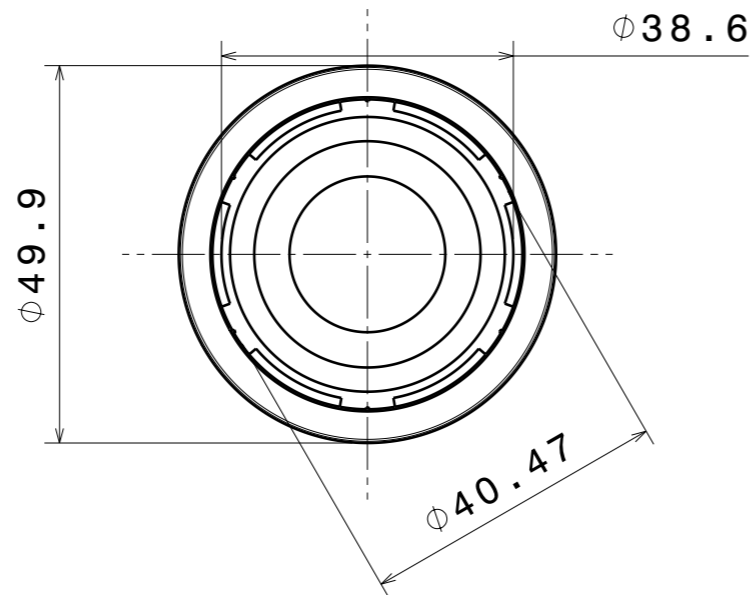
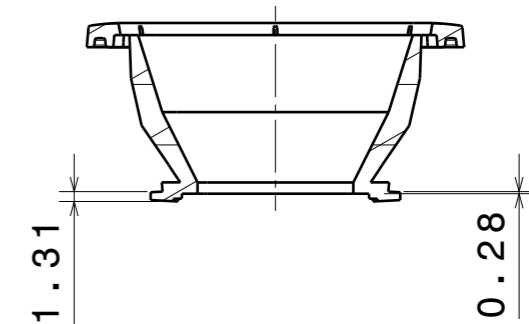


H G F E D C B A

SECTION A-A



SECTION B-B



INDEX	PART NO	DESCRIPTION	MATERIAL	COLOUR
1	F16002	MIRELLA-G2-WW	PC	Mirror

Tolerances if not otherwise shown
 According to DIN ISO 2768-1
 Linear measures:
 Up to 30mm class M, otherwise class K.
 According to DIN ISO 2768-2
 Form and position: class K
 Control for SPC marked dimensions.



LediL Oy
 Salorankatu 10
 FIN 24240 SALO
 Finland

FIRST ANGLE PROJECTION:

DRAWING TITLE
F16002_MIRELLA-G2-WW

This drawing is the property
 of LEDiL Oy. It may not be
 reproduced, copied or
 communicated without a written
 agreement with LEDiL Oy.

SIZE	PART NUMBER			
A3	F16002			
SCALE	1:1	WEIGHT	4.7 g	SHEET 1/1

H G B A